

PLAN

WATER SERVICE CONNECTION
DETAIL PLAN

WATER MAIN CONNECTION
DETAIL ELEVATION

MARK NO.	DESCRIPTION	MARK NO.	DESCRIPTION
1	Approved 20mm Water Meter	10	25/32mm TPFNR with Spindle Top
2	20mm Ball Cock	11	Approved Tapping Band - Tapped 25/32mm Diameter
4	20mm F.I. x 25 OD Poly Connector Elbow	12	32/40mm OD Nominal
5	32/40mm OD x 90 Poly Bend	13	25mm Nominal OD Poly
6	25P x 25P x 32/40P Nominal OD Poly Tee (or equivalent)	14	Standard Poly Pipe + Fitting
8	25/32mm F.I. x 32/40mm Poly Connector	15	100mm DWV Pipe
9	M.I. Ferrule Bend	16	100mm MIN Sand Bedding

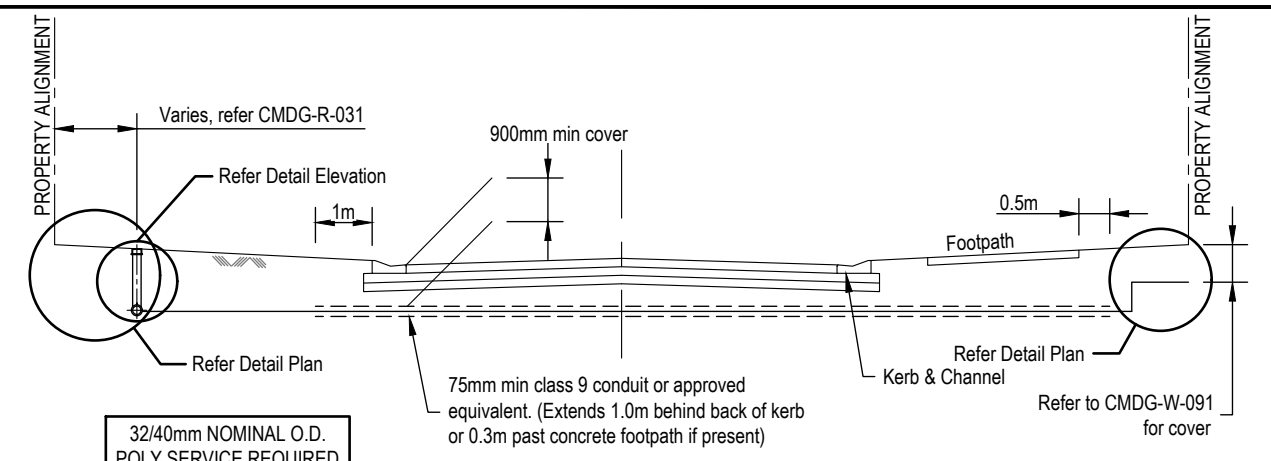
- NOTES :
- No galvanised fittings to be used.
 - Check applicability box for service requirements for different LGAs
 - Meter box and meter to be installed by LGA
 - Water service depth to be approximately 300mm at the meter

GRC ONLY LIMIT OF CONSTRUCTION BY DEVELOPER

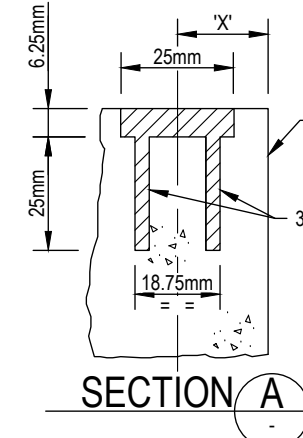
ALL LGAs EXCLUDING GRC LIMIT OF CONSTRUCTION BY DEVELOPER

PROPERTY ALIGNMENT

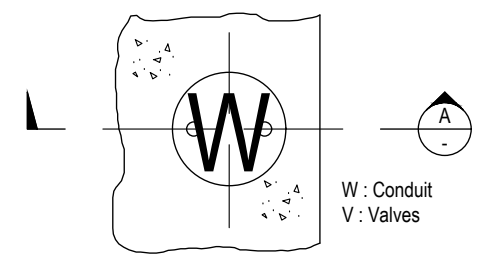
PROPERTY ALIGNMENT



ROAD CONDUIT CROSSING



SECTION A

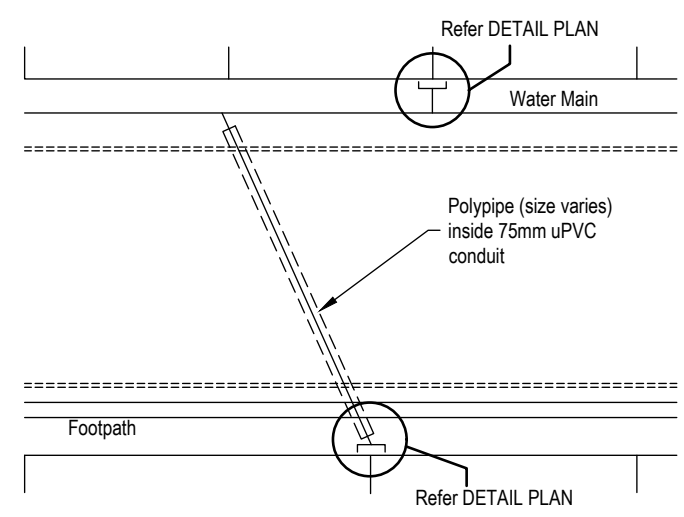


PLAN

BRASS OR STAINLESS STEEL SERVICE
CONDUIT MARKER AND VALVE MARKER DISC

NOTES:

- Dimension 'X' shall be 75mm for BARRIER KERB and 25mm for MOUNTABLE KERB.
- This Drawing shall be read in conjunction with the relevant specification for Service Conduits.
- A BRASS or STAINLESS STEEL Service Conduit Marker is to be installed for all Conduits. Refer Detail.
- Markers for Valves to be installed in kerb and channel at 90° to Valve location.



TYPICAL WATER MAIN CONNECTION
N.T.S.

DRAWING APPLICABILITY TABLE							
Council	BSC	CHRC	GRC	IRC	LSC	MRC	RRC
Applicable	Yes	Yes	Yes	Yes	Yes	Yes	Yes
Short Single (OD)	32	32	32	32	40	32	40
Short / long dual and long single size (OD)	32	32	40	32	40	32	40
Maincock cover Installation	No	No	Yes	No	Yes	No	Yes
Limit of Construction (From Boundary)	800mm Install Valve		600mm No Valve	800mm Install Valve			

REVISIONS	DATE
H EXTENSION BEHIND FOOTPATH ADDED	09/2025
G DETAILS FROM 090A ADDED	03/2024
F IRC ADDED	11/2016
E AMENDED TPFNR TO 32mm	04/2016
D GRC AND LSC ADDED, DOUBLE SERVICE SIZE 40mm AMENDED TPFNR REFERENCE	01/2015
C APPLICABILITY CHANGES	01/2011

DISCLAIMER.
The authors and sponsoring organisations shall have no liability or responsibility to the user or any other person or entity with respect to any liability, loss or damage caused or alleged to be caused, directly or indirectly, by the adoption and use of these Standard Drawings including, but not limited to, any interruption of service, loss of business or anticipatory profits, of consequential damages resulting from the use of these Standard Drawings. Persons must not rely on these Standard Drawings as the equivalent of, or a substitute for, project-specific design and assessment by an appropriately qualified professional.

Capricorn Municipal Development Guidelines
Incorporating:
Banana Shire Council (BSC) Maranoa Regional Council (MRC)
Central Highlands Regional Council (CHRC) Rockhampton Regional Council (RRC)
Gladstone Regional Council (GRC) Isaac Regional Council (IRC)
Livingstone Shire Council (LSC)

20 & 25mm SERVICE AND
WATER METER CONNECTIONS

WATER	
STANDARD DRAWING	A3
CMDG-W-090	
REV.	C D E F G H